



Rave Series

direct vent gas fireplaces

Rave Series

direct vent gas fireplaces



modern style
best value

The Rave is the best-value modern and linear fireplace available. Its long, unbroken ribbon of flame dances within a sleek landscape design to provide elegant warmth and ambiance. Explore unique placements and create a custom look with diverse finishing options. Experience all the Rave. Add modern style and proven value to your home or office.

Features

- 32" or 42" viewing area
- Moderate heat output—20,000 to 26,000 BTUs
- Multiple interior finishing options
- Convex or flat front options
- Enhanced safety with the IntelliFire™ Ignition System

IntelliFire™ Ignition System

The IntelliFire™ Ignition System (IPI) is an advanced intermittent pilot ignition system. IPI constantly monitors ignition, ensures safe functioning and conserves up to \$10/month in energy costs. To learn more, visit heatilator.com.

Direct Vent Technology

Direct Vent fireplaces remove 100% of combustion exhaust and odors outside of the home. These sealed fireplaces provide optimal heat, conserve energy and ensure clean, safe indoor air quality. To learn more, visit heatilator.com.

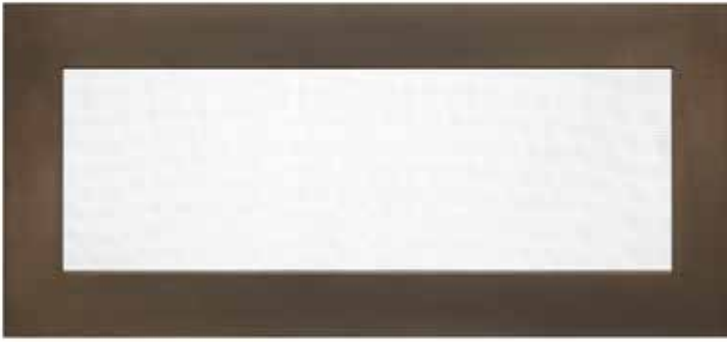
Cover: Rave 32 shown with Deco front in black, reflective black glass liner and ceramic fiber stones.

Above: Rave 42 shown with Illusion front in black and black glass media.

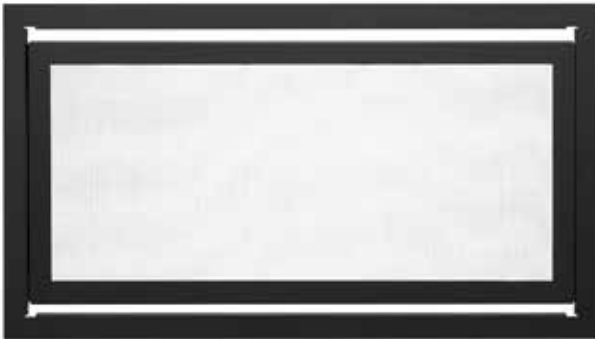
Options

Front Options

Finish your Rave with clean lines, or add depth with a convex design.



Deco/Rave42



Deco/Rave32
Illusion/Rave32

Illusion
Top view



Illusion/Rave42 (two-piece)

Front Finishes



Black



Bronze

Interior Options

The flames rise through translucent crushed glass for a modern flare or add logs for a fusion of traditional elements.



Black Glass



Crystal Glass



Ceramic Fiber Stones

Reflective Liner Option

Fade resistant black glass liner multiplies the flames and adds intensity to the fire.



Remote Control Option

Quickly and easily control your comfort with a mounted or remote control.



U.S. Efficiencies

Steady State - Since most homeowners use their fireplaces for an extended time while they are in the room, Steady State measures how efficiently your fireplace converts fuel to heat once it is warmed up and running in a "steady state".

AFUE - AFUE rating is more typically used with appliances, like your furnace, that continually cycle on and off to maintain a constant temperature.

Canada Efficiencies

EnerGuide (CSA P.4.1-02) - EnerGuide is a rating used in Canada to measure annual fireplace efficiency.

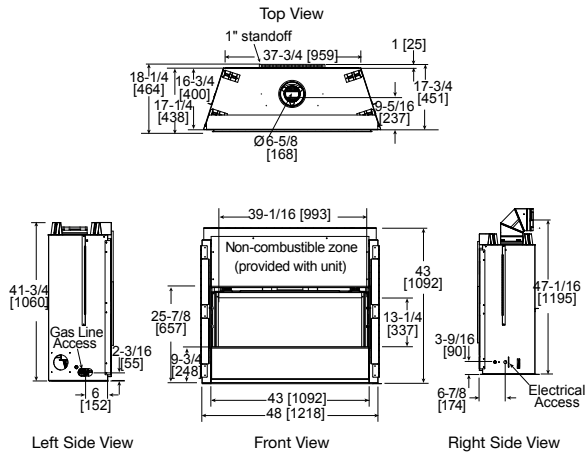
Rating	RAVE4013I	RAVE3012I
Steady State	72.7% (NG)	68.3% (NG)
AFUE	55.5% (NG)	57.4% (NG)

Rating	RAVE4013I	RAVE3012I
EnerGuide (CSA P.4.1-02)	57.0% (NG)	57.4% (NG)

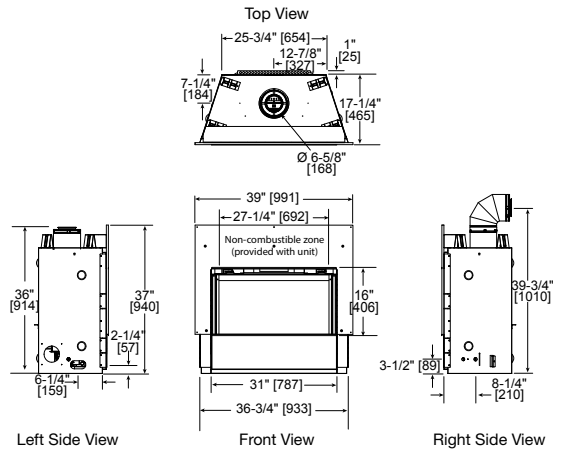
Technical Specifications

MODEL	FRONT WIDTH		BACK WIDTH		HEIGHT		DEPTH		VIEWING AREA	BTU/HR INPUT
	UNIT	FRAMING	UNIT	FRAMING	UNIT	FRAMING	UNIT	FRAMING		
RAVE4013I	48" (1218mm)	50" (1270mm)	37-3/4" (959mm)	50" (1270mm)	41-3/4" (1060mm)	42-1/4" (1073mm)	18-1/4" (464mm)	18-1/4" (464mm)	39-1/16" X 13-1/4" (993mm x 337mm)	26,000 NG 25,000 LP
RAVE3012I	36-3/4" (933mm)	37-3/4" (959mm)	25-3/4" (654mm)	37-3/4" (959mm)	37" (914mm)	36-1/2" (927mm)	18-1/4" (464mm)	18-1/4" (464mm)	27-1/4" X 13-1/4" (692mm x 292mm)	20,000 NG 17,500 LP

RAVE4013I Dimensions



RAVE3012I Dimensions

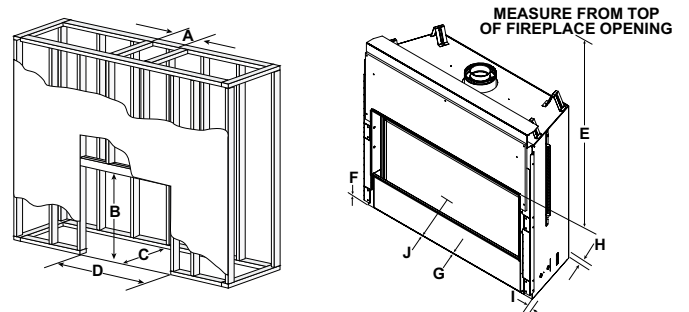
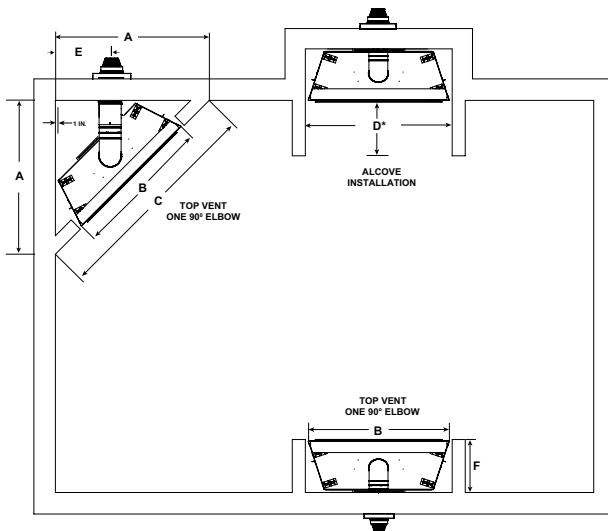


Clearances

MODEL	A	B	C	D	E	F
RAVE4013I	53-1/32" (1347mm)	48" (1218mm)	75" (1905mm)	See install manual for mantel & wall projections	19-9/32" (490mm)	17-3/4" (451mm)
RAVE3012I	44-5/8" (1134mm)	37-5/8" (956mm)	63-1/8" (1603mm)	See install manual for mantel & wall projections	15-1/16" (383mm)	18-3/4" (476mm)

Framing

MODEL	A ROUGH OPEN- ING (WIDTH)	B ROUGH OPEN- ING (HEIGHT)	C ROUGH OPEN- ING (DEPTH)	D ROUGH OPEN- ING (WIDTH)	E CLEARANCE TO CEILING
RAVE4013I	8-5/8" (219mm)	42-1/4" (1073mm)	18-1/4" (464mm)	50" (1270mm)	31" (787mm)
RAVE3012I	8-5/8" (219mm)	36-1/2" (927mm)	18-1/4" (464mm)	37-3/4" (959mm)	31" (787mm)



MODEL	F COMBUSTIBLE FLOOR	G COMBUSTIBLE FLOORING	H BEHIND APPLIANCE	I SIDES OF APPLIANCE	J FRONT OF APPLIANCE
RAVE4013I	0" (0mm)	0" (0mm)	1" (25mm)	1" (25mm)	36" (914mm)
RAVE3012I	0" (0mm)	0" (0mm)	1" (25mm)	1/2" (13mm)	36" (914mm)

The rough framing dimensions shown represent the distance from stud to stud only and do not take into consideration the addition of drywall. Please refer to installation instructions for complete specifications and drawings when installing this product. Go to heatilator.com to download.

Available From

heatilator
The first name in fireplaces

800-927-6841 | heatilator.com

[facebook.com/Heatilator](https://www.facebook.com/Heatilator)

twitter.com/Heatilator

[youtube.com/HeatilatorFireplaces](https://www.youtube.com/HeatilatorFireplaces)

Limited Lifetime Warranty¹

The strongest in the industry, Heatilator provides a limited lifetime warranty on gas-burning products of the most important aspects: firebox and heat exchanger.

The information provided in this literature is for planning purposes only and subject to change. Please consult the installation manual for actual installation. Actual product appearance may differ from product images.

¹ For full warranty details go to heatilator.com.

Canada

ENERGUIDE

Look for the **EnerGuide** Gas Fireplace Energy Efficiency Rating in this brochure

Based on CSA P.4.1-02

HTL-1064U-0415

